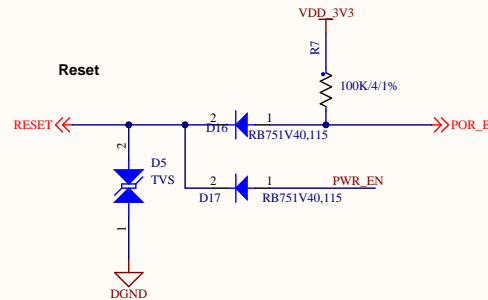
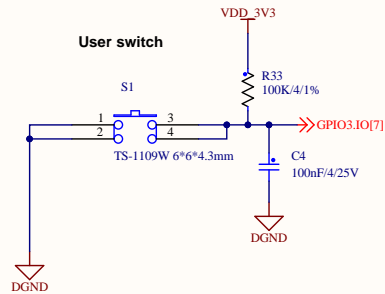
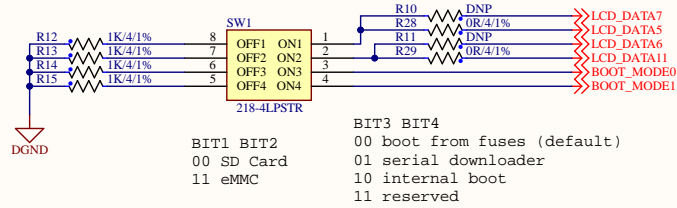
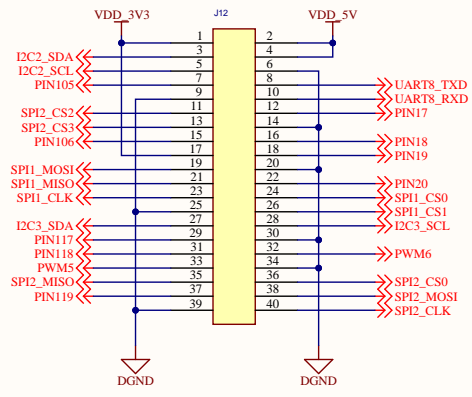
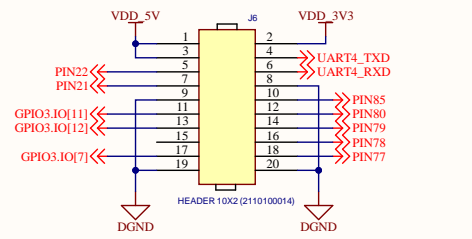
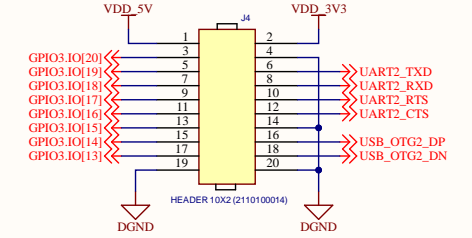
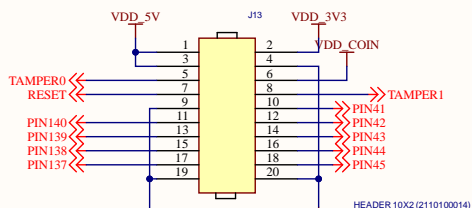


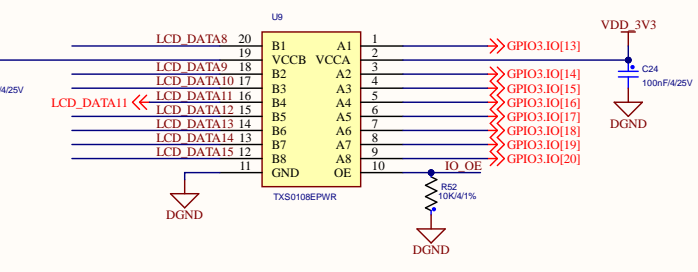
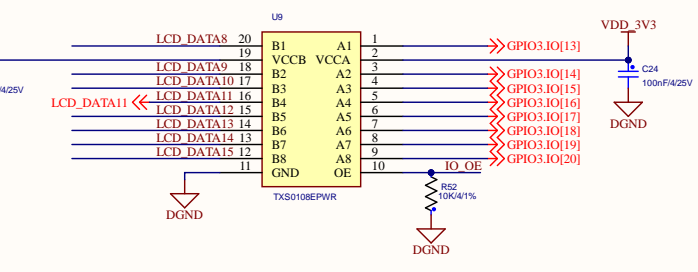
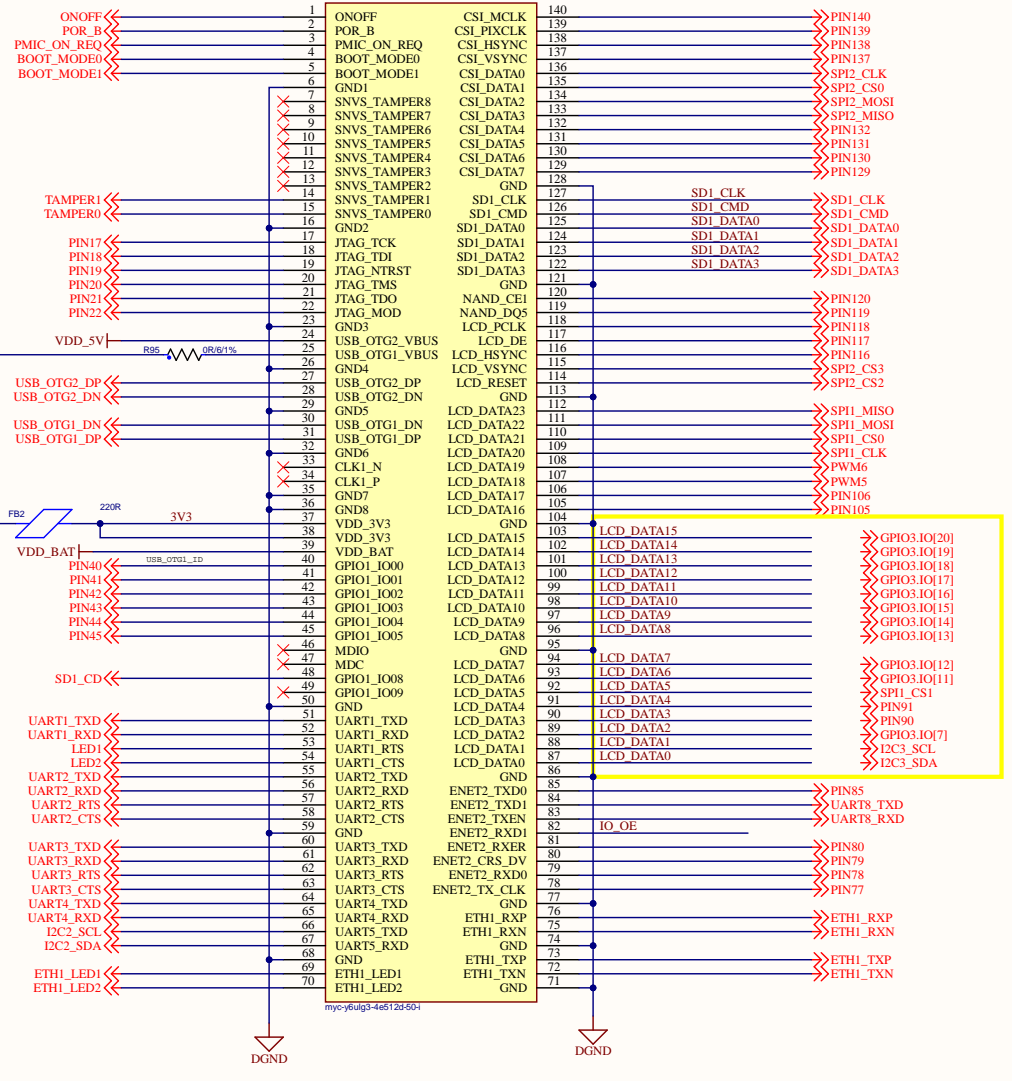
Boot Configure



Project Name:		seluxit	
Document Name: Power Supply		Project Number: N/A	
Document Number: N/A		Document Revision: 1.1	
PCB Marking: Porcupine	PCB Revision: 1.1	Size: A3	
Author: Seluxit	Date: 22-04-2020	Sheet 1 of 5	

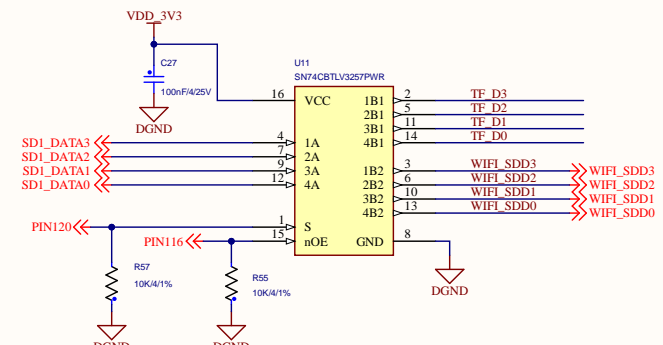
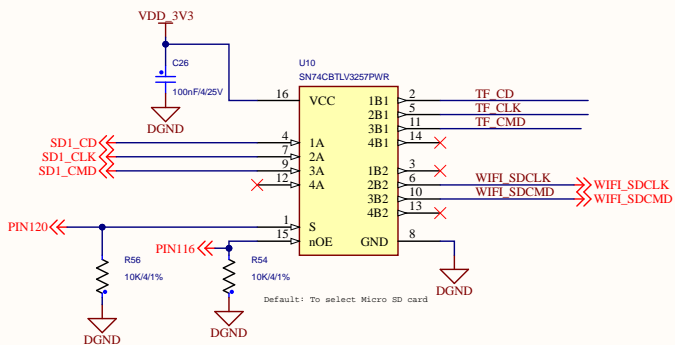
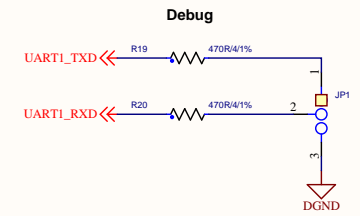
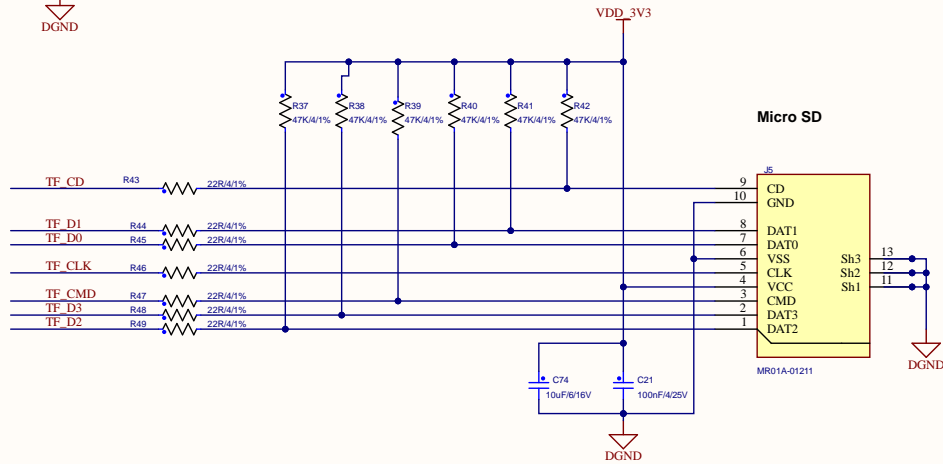
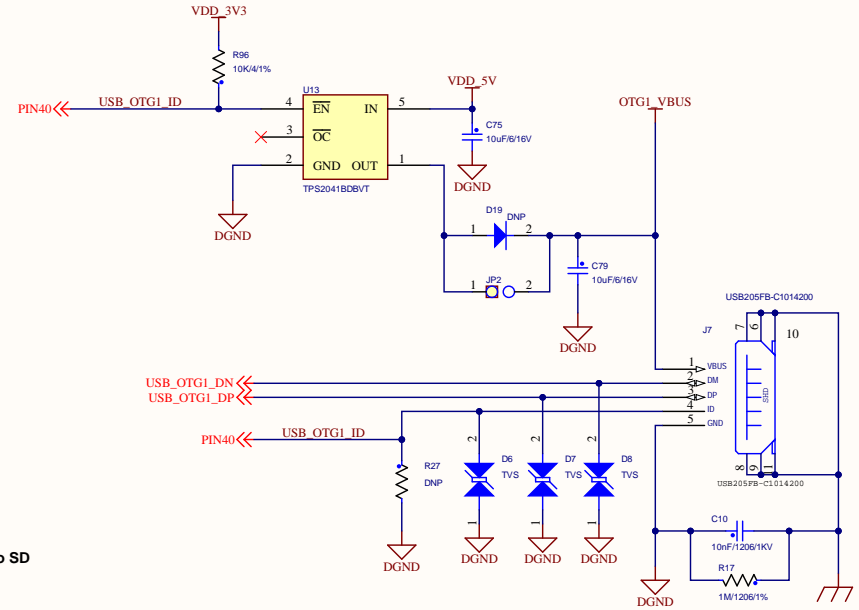
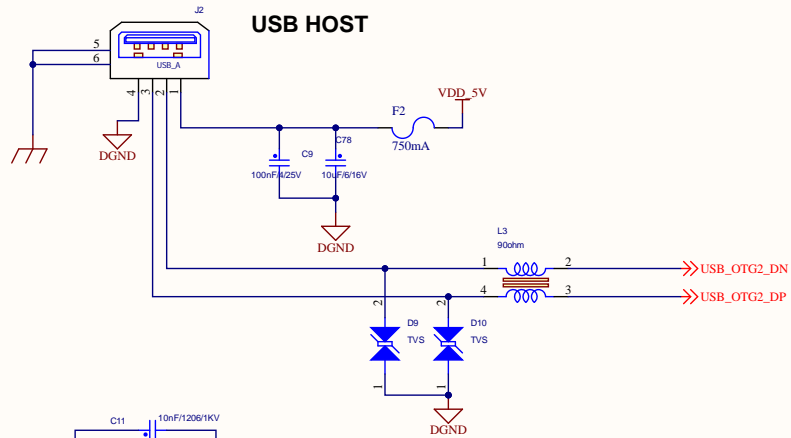


Pin No.	3.3V	5V	5V	GND	GPIO14	GPIO15	GPIO18	GND	GPIO23	GPIO24	GND	GPIO25	GPIO8	GPIO7	GND	GPIO12	GND	GPIO16	GPIO20	GPIO21	
1	3.3V	5V	5V																		
2																					
3	GPIO2																				
4																					
5	GPIO3																				
6																					
7	GPIO4																				
8																					
9	GND																				
10	GPIO17																				
11	GPIO27																				
12	GPIO22																				
13																					
14	GPIO10																				
15	GPIO9																				
16	GPIO11																				
17																					
18																					
19	GPIO5																				
20	GPIO6																				
21	GPIO13																				
22	GPIO19																				
23	GPIO26																				
24	GND																				
25																					
26																					
27																					
28																					
29																					
30																					
31																					
32																					
33																					
34																					
35																					
36																					
37																					
38																					
39																					
40																					

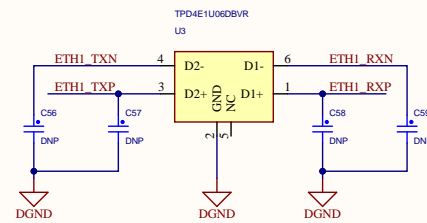
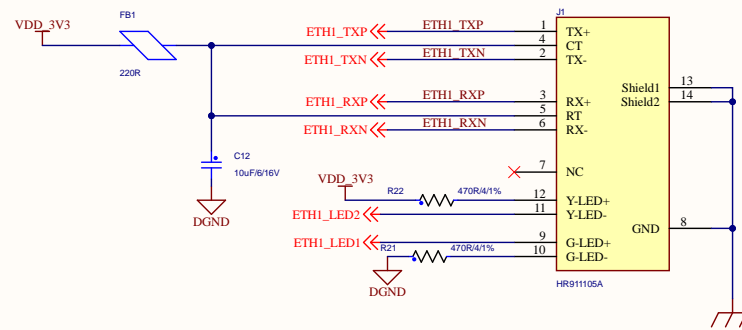


Project Name:		seluxit	
Document Name:	PI Connector	Project Number:	N/A
Document Number:	N/A	Document Revision:	1.1
PCB Marking:	Porcupine	PCB Revision:	1.1
Author:	Seluxit	Date:	22-04-2020
		Sheet	2 of 5

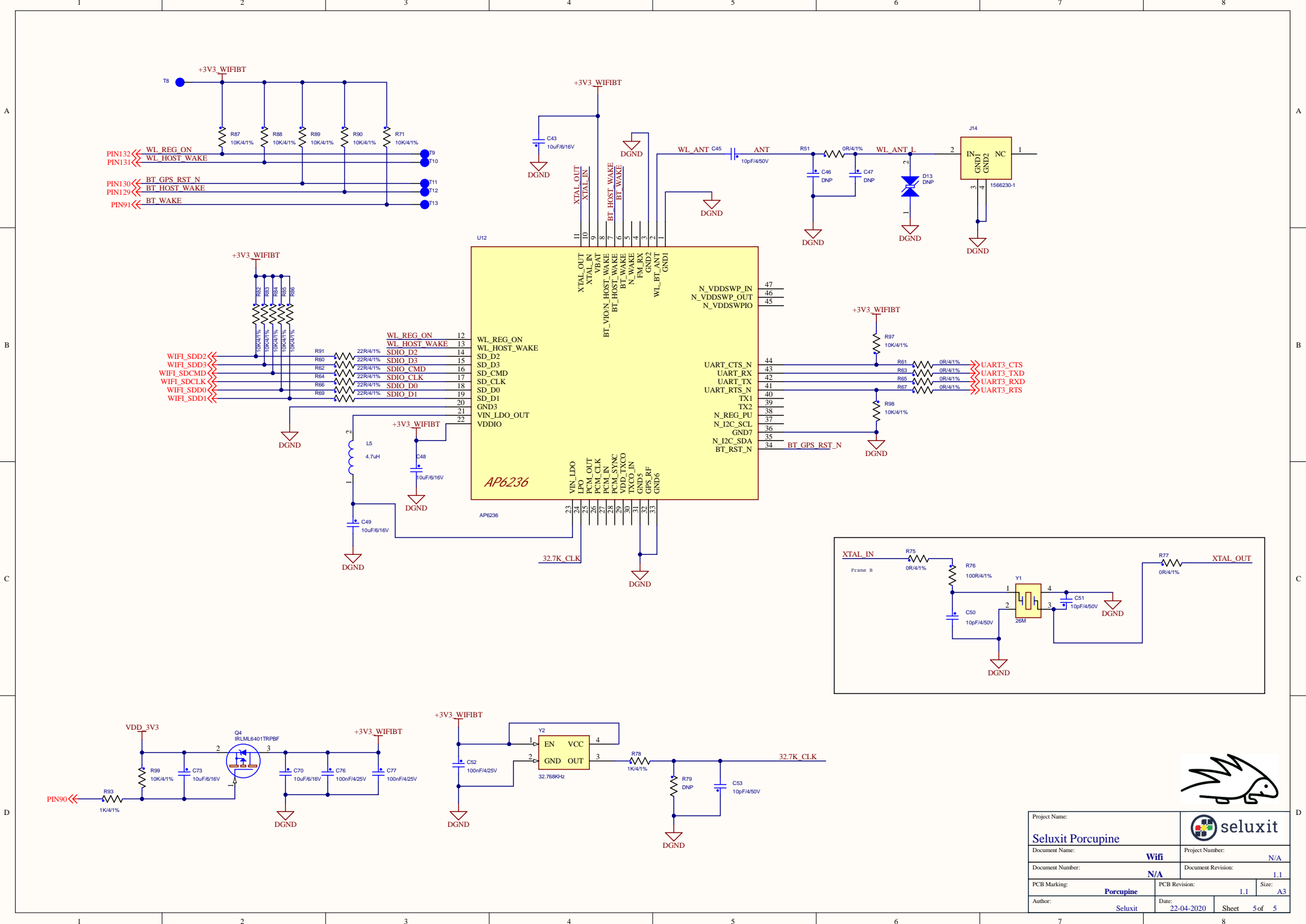




Project Name:		seluxit	
Document Name:		Seluxit Porcupine	
Document Number:		N/A	
PCB Marking:		Porcupine	
Author:		Seluxit	
Date:		22-04-2020	
Project Number:		N/A	
Document Revision:		1.1	
PCB Revision:		1.1	
Size:		A3	
Sheet		3 of 5	



Project Name: Seluxit Porcupine		Project Number: N/A	
Document Name: Ethernet I/F		Document Revision: 1.1	
Document Number: N/A		Date: 22-04-2020	
PCB Marking: Porcupine		PCB Revision: 1.1	Size: A3
Author: Seluxit		Sheet	4 of 5



Project Name: Seluxit Porcupine		Project Number: N/A	
Document Name: Wifi		Document Revision: 1.1	
Document Number: N/A		PCB Revision: 1.1	
PCB Marking: Porcupine		Date: 22-04-2020	Sheet 5 of 5
Author: Seluxit		Size: A3	